

PRODUCT NO  
50048-XXXXX

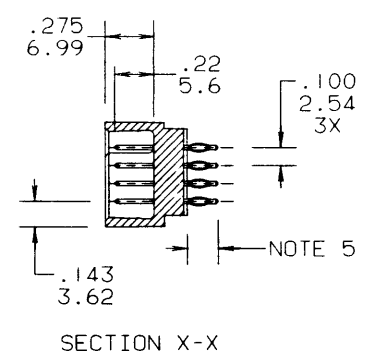
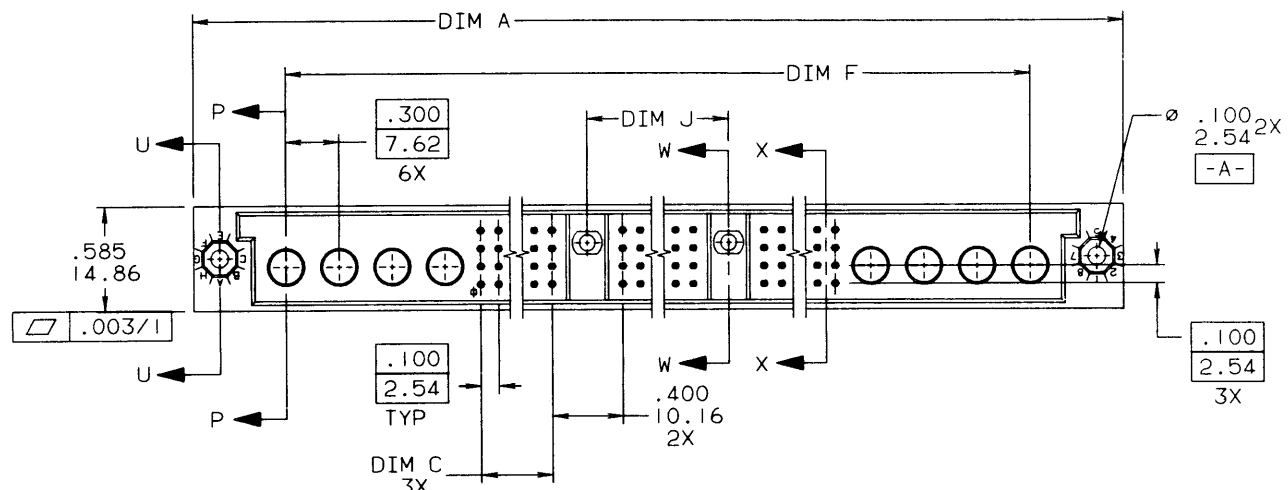
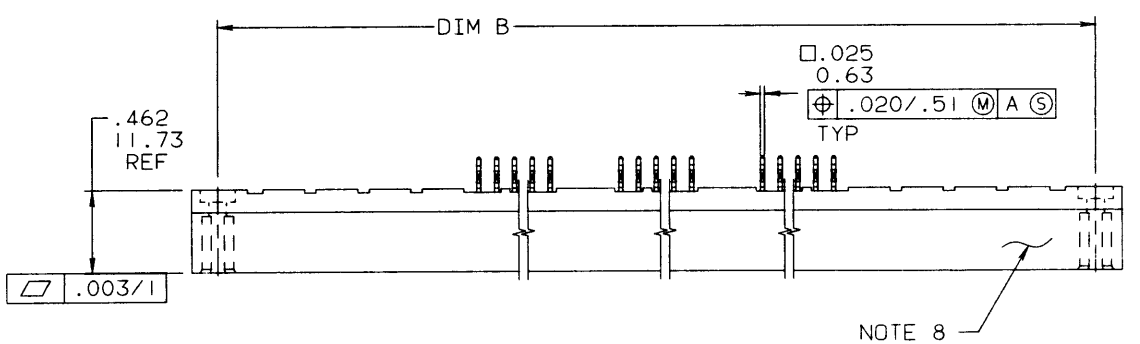
REVISIONS			
REV	DESCRIPTION	BY	DATE
A	RELEASED	RDS	02/15/91
B	ECR V12536	SAR	10/09/91

D

C

B

A



NOTES:

- THIS PRODUCT IS CONFIGURED IN SIZE OF 30 THRU 126 COLUMNS IN INCREMENTS OF THREE.  
IE: 30,33,36,39.....123,126.
  - PRODUCT NUMBERING CODE:  
50048 - X XXX X  
    - TAIL LENGTH
    - NO OF POSITIONS
    - PLATING
    - BASE NUMBER
  - MATERIALS:  
HOUSING GLASS FILLED PPS.  
PIN PHOS BRONZE
- NOTES CONTINUED ON SHEET 2

SHEET INDEX	ISSUE SH NO	B I	A 2													CUSTOMER COPY	CODE IDENT		
																	22526		
MODELS				DO NOT SCALE DRAWING				TOLERANCE UNLESS OTHERWISE NOTED				MATL				DR		DATE	
				THIRD ANGLE PROJECTION				LINEAR								D. SHEAFFER		02/15/91	
TABULATION SHEETS REQUIRED				INCH MM				ANGLES 0° ±2°				FINISH				S. CLARK		02/15/91	
YES NO																ENGR		02/15/91	
																APPD		02/15/91	
																SCALE		2/1	
																SIZE		C	
																DWG NO		50048	
																CAD			
																SHEET		1 OF 2	

**DuPont Electronics**

TITLE 4 ROW VERTICAL HEADERS  
COMPLIANT PRESS FIT PINS  
2 GUIDE PINS/8 RND AUX PORTS

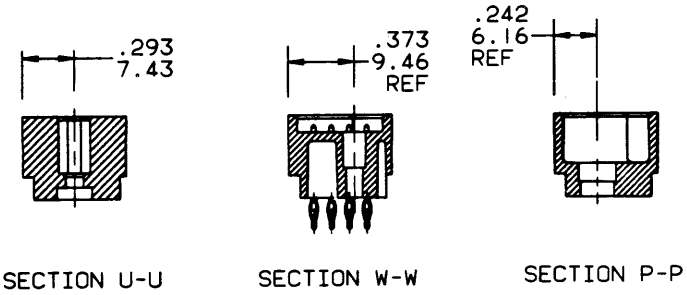
SCALE 2/1 SIZE C DWG NO 50048 SHEET 1 OF 2

NOTE This print is the property of and embodies proprietary designs of THE DUPONT COMPANY.  
No part of the design shown on this print may be used in any way without the written consent of DUPONT ELECTRONICS, New Cumberland, PA.

FORM E 3067C REV. 12/89

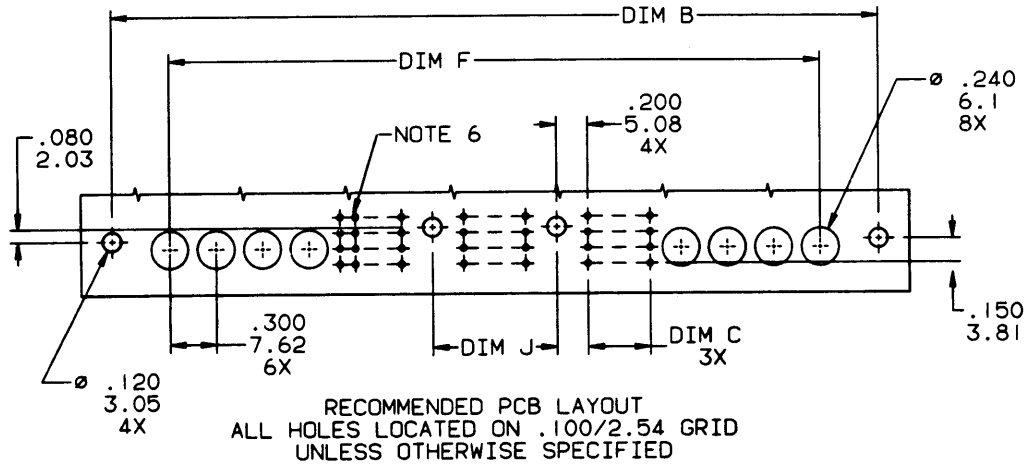
PRODUCT NO	DIM.	LENGTH FORMULAS
50048-XXXXX	DIM A	.100/2.54 X NO. OF COLUMNS + 3.75/95.3
	DIM B	.100/2.54 X NO. OF COLUMNS + 3.45/87.6
	DIM C	.100/2.54 X NO. OF COLUMNS DIVIDED BY 3 - .10/.25
	DIM F	.100/2.54 X NO. OF COLUMNS + 2.70/68.6
	DIM J	.100/2.54 X NO. OF COLUMNS DIVIDED BY 3 + .30/7.62

REVISIONS			
REV	DESCRIPTION	BY	DATE
A			



NOTES CONTINUED FROM SHEET 1

- 4 PLATING, CONTACT AREA OPTIONS:  
 1 = 30μ"/.76μ GOLD      5 = 30μ"/.76μ GXT  
 3 = 50μ"/1.27μ GOLD      6 = 15μ"/.38μ GOLD
- ⑤ TAIL LENGTH OPTIONS: (LENGTHS REF ONLY)  
 A = .177/4.5      P = .470/11.94 .062 PCB/SHROUD  
 C = .533/13.54      L = .188/4.78 .062 PCB  
 D = .733/18.62      M = .671/17.04 .062 PCB  
 G = .250/6.35
- ⑥ ∅.0453/1.151 DRILLED HOLE PLATED WITH .0003/.007 MIN SnPb OVER .001/.03 TO .003/.08 Cu. PLATING TO ACHIEVE A ∅.040±.003/1.02±.08 HOLE.
- 7 TO ASSURE PROPER INSTALLATION; DUPONT TOOLING, AS SPECIFIED IN INSTRUCTION MANUAL 155915-001, MUST BE USED. PIN MATING LENGTH WILL BE ±.002/.05 AFTER INSTALLATION.
- ⑧ "DUPONT", DUPONT P/N, AND LOT CODE TO APPEAR ON THIS SURFACE.
- 9 PACKAGING PER BUS-14-143.
- 10 FOR PRODUCT PERFORMANCE SEE DUPONT PRODUCT SPECIFICATION NUMBER BUS-12-090.



RECOMMENDED PCB LAYOUT  
 ALL HOLES LOCATED ON .100/2.54 GRID  
 UNLESS OTHERWISE SPECIFIED

SHEET INDEX	ISSUE	SH NO	DO NOT SCALE DRAWING	TOLERANCE UNLESS OTHERWISE NOTED	INCH/MM	MATL	DR	DATE
							D. SHEAFFER	02/15/91
							CHK	S. CLARK
							ENGR	S. CLARK
							APPD	S. CLARK

**DuPont Electronics**

**DUPONT**

TITLE 4 ROW VERTICAL HEADERS  
 COMPLIANT PRESS FIT PINS  
 2 GUIDE PINS/8 RND AUX PORTS

SCALE SIZE DWG NO CAD SHEET

2/1 C 50048 SHEET 2

NOTE This print is the property of and embodies proprietary designs of THE DUPONT COMPANY. No part of the design shown on this print may be used in any way without the written consent of DUPONT ELECTRONICS, New Cumberland, PA.

FORM E-3004X REV 12/90